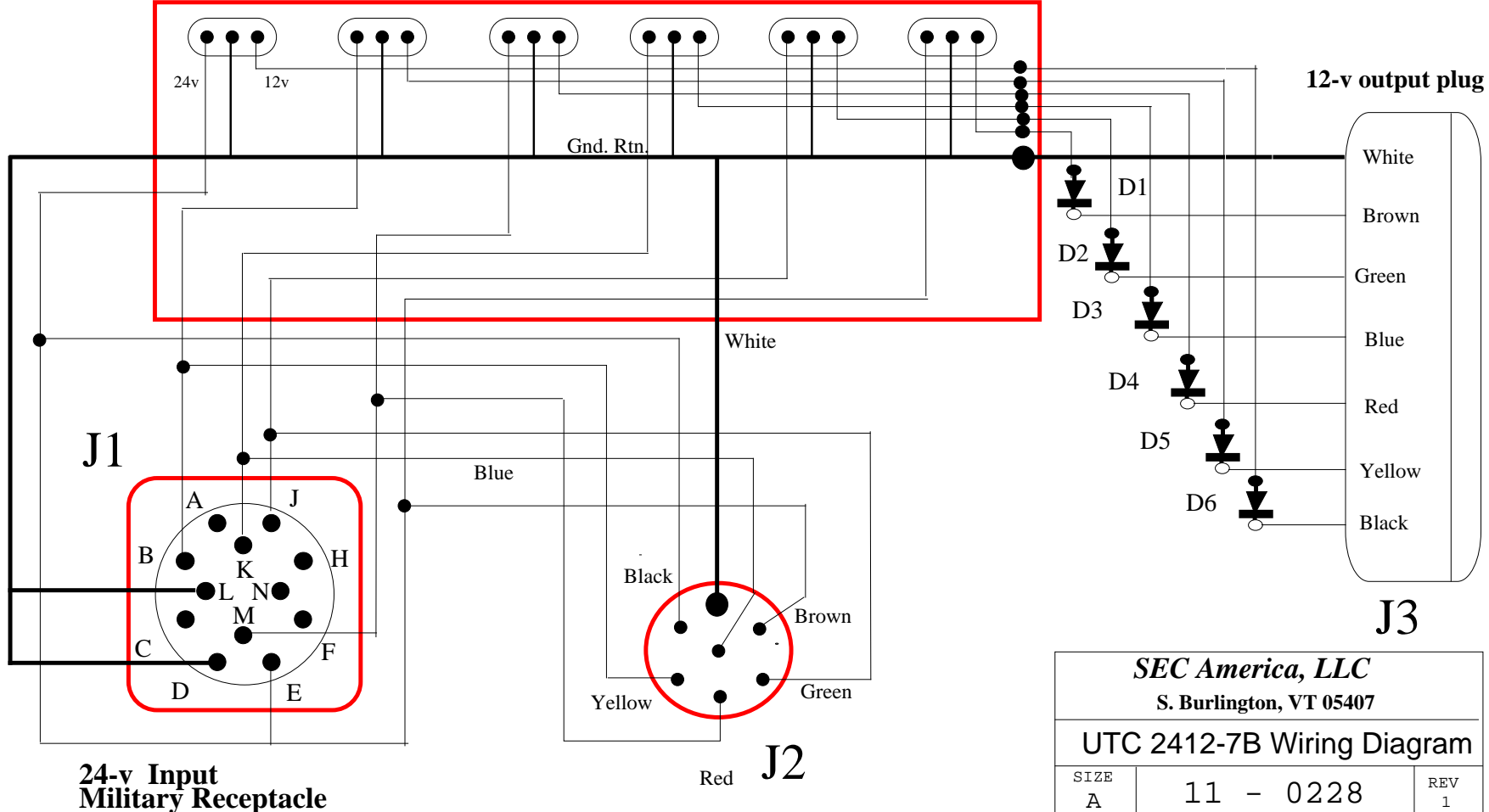


**Top View**

<b>SEC America, LLC</b>			
S. Burlington, VT 05407			
Mat'l	N/A	Scale	Drawn by: CJ
		NTS	Approved by: EH
Title			
UTC 2412-7B Line Drawing			
Date	3/12/2007	Drawing No.	92-2417

Module #1 Clearance side marker identification  
 Module #2 Left-hand Turn and hazard  
 Module #3 Stop lights antiwheel lock  
 Module #4 Auxiliary  
 Module #5 Right-hand turn and hazard  
 Module #6 Tail and license plate



= 24V to 12V conversion module

**24V Input European Receptacle**

<b>SEC America, LLC</b>		
S. Burlington, VT 05407		
<b>UTC 2412-7B Wiring Diagram</b>		
SIZE A	11 - 0228	REV 1
DATE	April 10, 2002	SHEET 1 of 1
Drawn By:		CJ

## Electrical Specifications

**Input Voltage:** 21-29 VDC (normal)  
will withstand up to 36 VDC (abnormal)

**Input Current:** 45 Amps. Max Total

**Input Circuits:** 6 independent circuits

**Output Voltage:** 13.5 +/- 0.2 VDC

Output Current	Pin	Current (Amps)	Pin	Current (Amps)
	Black	10	Yellow	10
	Brown	15	Green	10
	Red	10	Blue	10

## Electrical Configuration

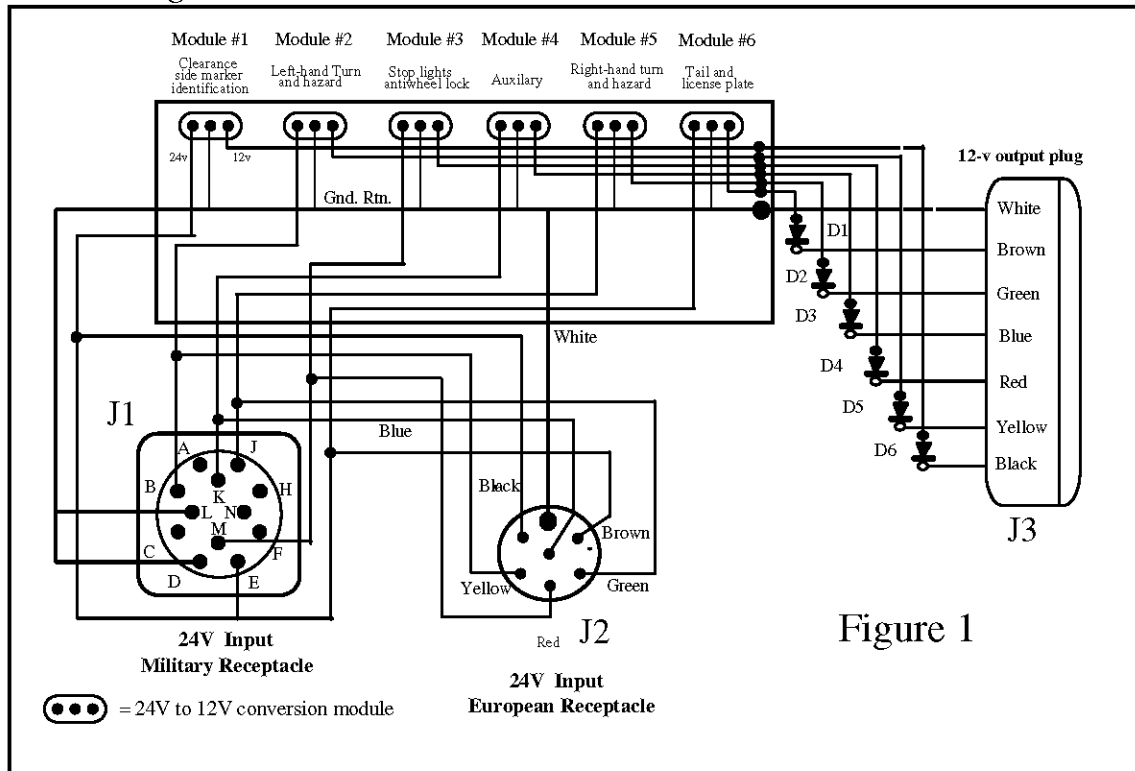


Figure 1

**Output Regulation:** 0.2 Volts over entire load and input voltage range

**Output Ripple:** 100 mV RMS @ -40C, worst case/ 50 mV @ 0C

**Overload Protection:** Internal electronic protection

**Operating Temperature:** -40C to +60C

**Efficiency:** 90%

## Mechanical Specification

**Input Connection:** 12 pin NATO (24 Volt) or 7 pin SAE 560

**Output Connection:** Via 7 pin Plug (at the end of 12 ft./3.6m coiled cable)

**Size: (L x W x H):** 21 x 8.5 x 3.5 (inches) / 53 x 22 x 9 (cm)

**Weight:** 22 lb. - 10 Kg.

**Construction:** Aluminum housing with steel end caps

**Mounting:** 6 position base mounting flange with clearance for 1/4 in bolts