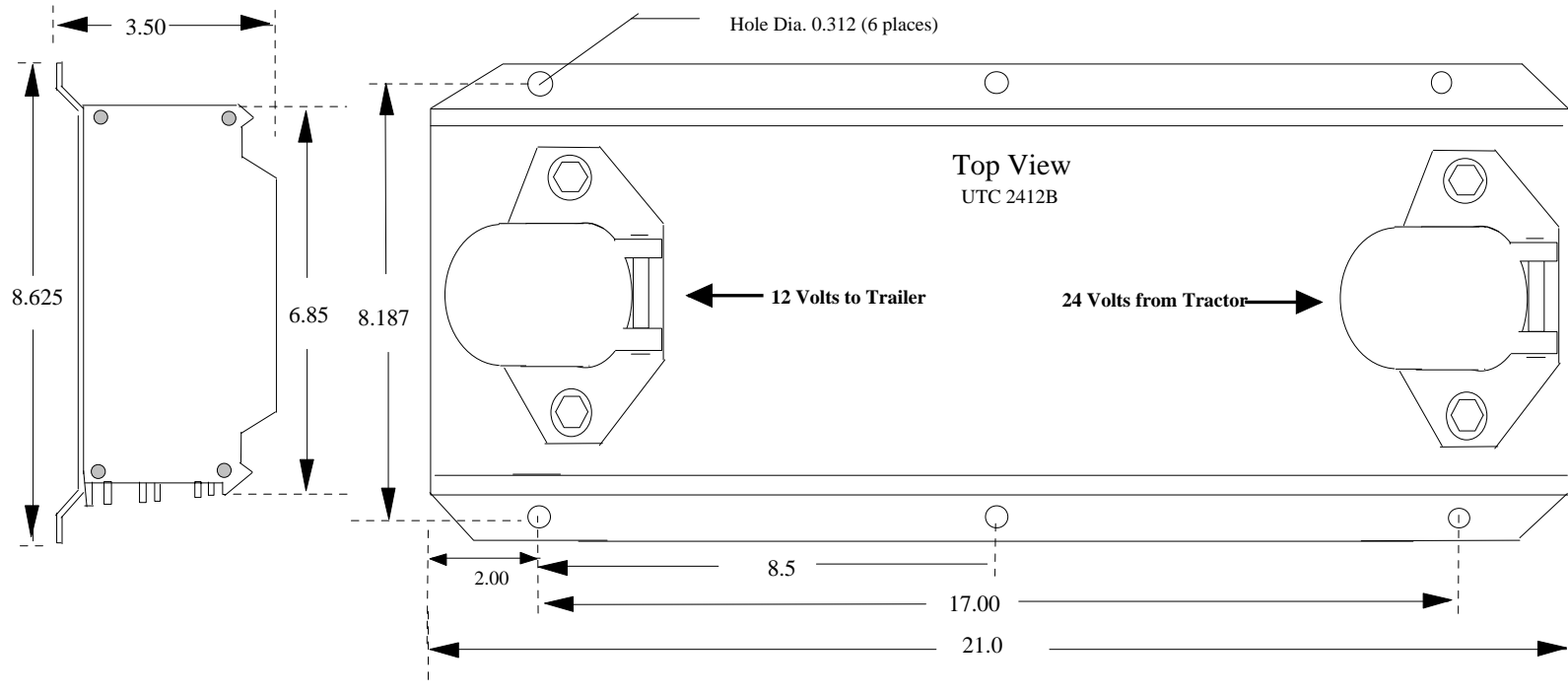


● ● ● = 24V to 12V conversion module

**24V Input
7 Pin Receptacle**

J1 and J2 are identical (type SAE 560)

SEC America, LLC		
S. Burlington, VT 05407		
UTC 2412 B Wiring Diagram		
SIZE A	11 - 0225	REV 1
DATE	April 10, 2002	SHEET 1 of 1
Drawn By:		CJ



All Dimensions in inches

SEC America, LLC			
S. Burlington, VT 05407			
Mat'l N/A	Scale NTS	Drawn by: CJ	
		Approved by: EH	
Title UTC2412B Line Drawing			
Date 6/12/2006	Drawing No. 93-1226		

Electrical Specifications

Input Voltages: 21-29 VDC (normal)
will withstand up to 36 VDC (abnormal)

Input Current: 45 Amps. Max Total

Input Circuits: 6 independent circuits

Output Voltages: 13.6 +, - 0.3 VDC

Output Current	Pin	Current Rating (Amps)
	Black	10
	Brown	15
	Red	10
	Yellow	10
	Green	10
	Blue	10

Electrical Configuration



Output Regulation: 0.2 Volts over entire load and input voltage range

Output Ripple: 100 mV RMS max. @ -40C (worst case)
50 mV RMS @ 0C

Overload and Short

Circuit Protection: Internally electronically protected

Temperature Range: -40C to +60C

Efficiency: 90% typically

Mechanical Specification

Input Connection: Via 7 pin socket

Output Connection: Via 7 pin socket

Size: (L x W x H) 21 x 8.5 x 3.5 (inches) / 53 x 22 x 9 (cm)

Weight: 16 lbs. approx. - 8 kg

Construction: Aluminum Housing with Steel End Caps

Mounting: 6 position base mounting flange with clearance for 1/4 in. bolts